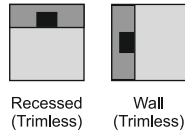
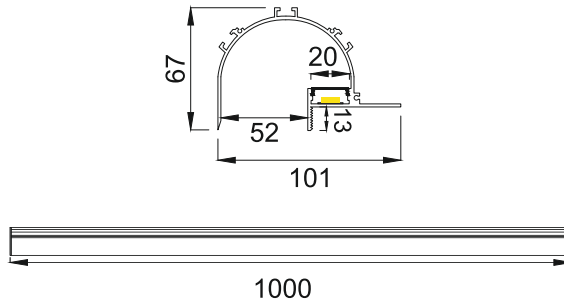




**Trax Two Gyp3
LPL529**



Finish Options

- Housing Finish
- HA Al. Anodised
 - HW White
 - HB Black
 - HC Custom

- Length
- L10 1000 MM
 - L20 2000 MM
 - LC Custom

- IP Rating 20 IP20

Unit : MM

Linear LED Light - To be used with Svelte Series flexible strip

LFS455/456/457
6W/12W/24W/M
 6W 12W 24W

27 450/900/1800lm/m

2700K

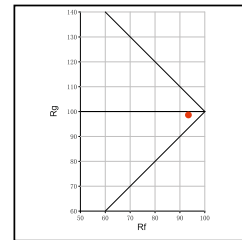
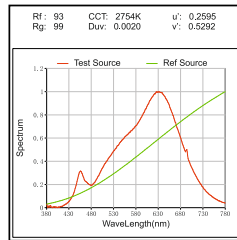
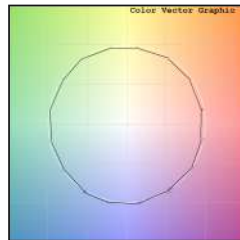
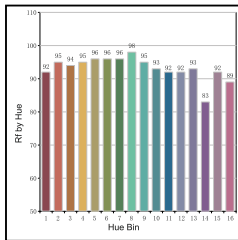
40 510/1020/2040lm/m 4000K

Diffused

30 480/960/1920lm/m

3000K

65 600/1200/2400lm/m 6500K



Technical Details

Housing material	Aluminum Extruded	Number of LED's per meter	30/60/120LED's
Diffuser material	PMMA	CRI	>90
Mounting	Ceiling Recessed mounted	MacAdam Ellipse	<3
Weight	840gms per 1000mm	Luminous Efficacy	110lm/W@3000k
Junction Temperature	Tj<75 Degree	Lumens per meter	660/1320/2640lm/M@3000k
		Life Time	L80-B10 50,000hrs.

Accessories

- Power Options**
- N Non Dimmable
 - P Phase Cut Dimming
 - A 0-10/ 1-10V Analog
 - D DALI Dimming

Other Products in this Series

Ordering code : LPLxxx(model no)-Hx(housing)-Lxx(length)-xx(IP)-xxxx(watt per meter+cct)-(A)(dimming)
 Example : {529} {HA} {L20} {20} {1227} {A}